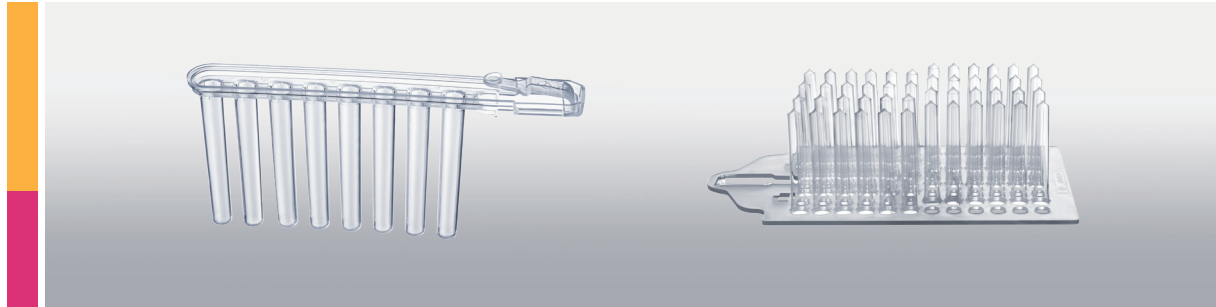




## ▶ Tip Comb



### Applications:

Genomics, Molecular Biology, Medicine, and Genomic Research

### Characteristic:

- In nucleic acid extraction experiments, protect the magnetic rod from liquid separation and extend the life of the magnetic rod.
- The overall surface is smooth, without bending deformation or burrs, and the thickness of tube wall and bottom is uniform.
- Using high-quality PP material to ensure service life.
- Non-DNase, RNase contamination, Non-Pyrogenic.

### Transportation and preservation methods

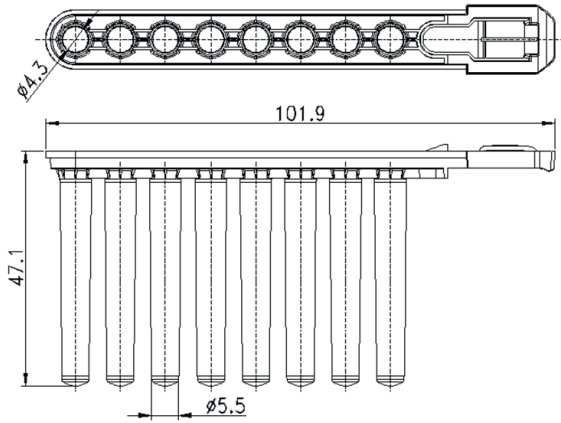
Transport at room temperature, store at room temperature, valid for 3 years.

### Ordering information:

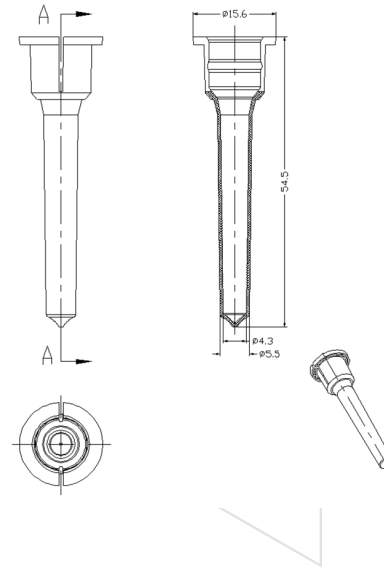
Cat.No	Product name	Specifications, (mm)	Pack Size	Unit
BSH05M1	8-strip tip comb	U-bottom, clear, 101.9 (Length) X47.1 (Height) XΦ5.5 (Tube external diameter) XΦ4.3 (Tube internal diameter)	2 strips/Bag, 25 bags/Box, 4 boxes/Case	Bag
BSH05S1B	8-strip tip comb	U-bottom, clear 101.9 (Length) X47.1 (Height) X Φ5.5 (Tube external diameter) X Φ4.3 (Tube internal diameter)	2 strips/Bag, 25 bags/Box, 4 boxes/Case	Strip
BSH52L1	48-well tip comb	V-bottom, clear, 157.4 (Length) X85.4 (width) X46 (Height) XΦ5.5 (Tube external diameter) XΦ4.3 (Tube internal diameter)	2 pieces/Bag, 12 bags/Box, 4 boxes/Case	Bag
BSH40M1	96-well tip comb	V-bottom, clear, 157.4 (Length) X85.4 (width) X46 (Height) XΦ5.5 (Tube external diameter) XΦ4.3 (Tube internal diameter)	2 pieces/Bag, 8 bags/Box, 4 boxes/Case	Bag
BSH07M1T	96-well tip comb	V-bottom, clear, For Thermofisher	2 pieces/Bag, 8 bags/Box, 4 boxes/Case	Bag
BSH95S1	Automatic PCR analysis tip comb	Clear, For Bioer FQD-A1600, 15.6 (width) X54.5 (Height) XΦ5.5 (Tube external diameter) XΦ4.3 (Tube internal diameter)	8 pieces/Bag, 25 bags/Box, 12 boxes/Case	Box
BSH46S1	4-strip tip comb	For Bioer NPA-16H, 118.2 (Length) X48.3 (Height) XΦ5.5 (Tube external diameter) XΦ4.3 (Tube internal diameter)	2 strips/Bag	Strip

# Specification:

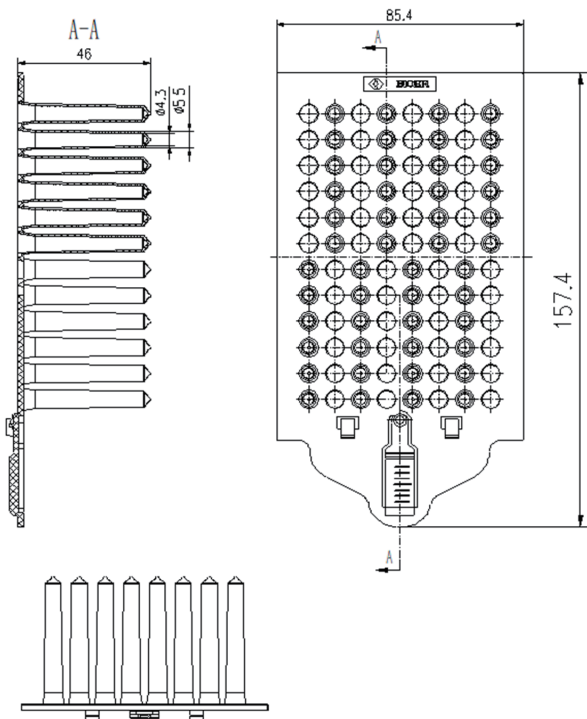
## 1 8-strip tip comb:



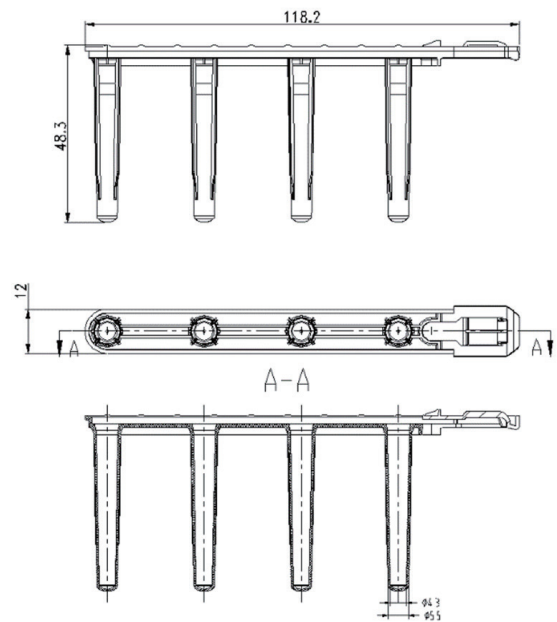
## 2 Automatic PCR analysis tip comb:



## 3 48-well tip comb and 96-well tip comb:



## 4 4-strip tip comb:



WWW.BIOER.COM



**HANGZHOU BIOER  
TECHNOLOGY CO., LTD.**

Address: 1192 Bin 'an Road, Hi-tech (Binjiang) District, Hangzhou, 310053, P.R.China  
 Direct Phone: +86-571-87774575 (Overseas Department) Fax: +86-571-87774553  
 Website: www.bioer.com Email: overseas@bioer.com.cn E-Date: 2023.06